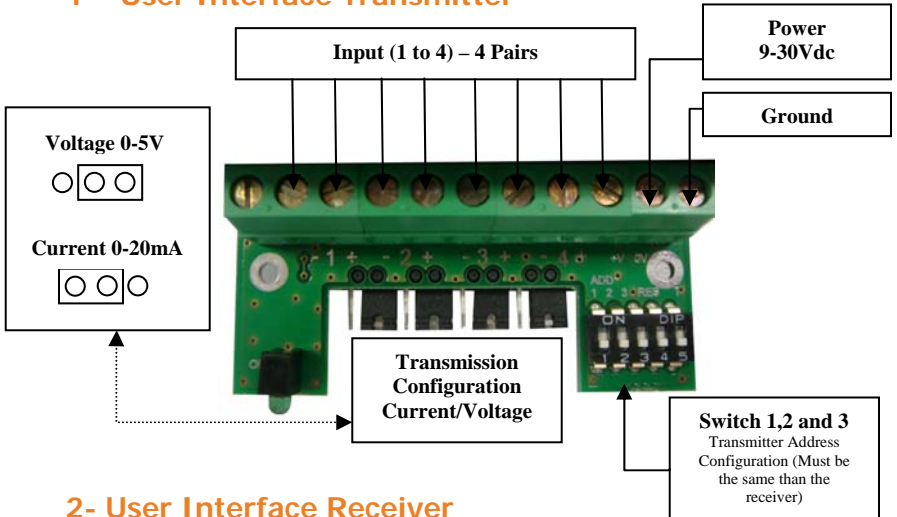


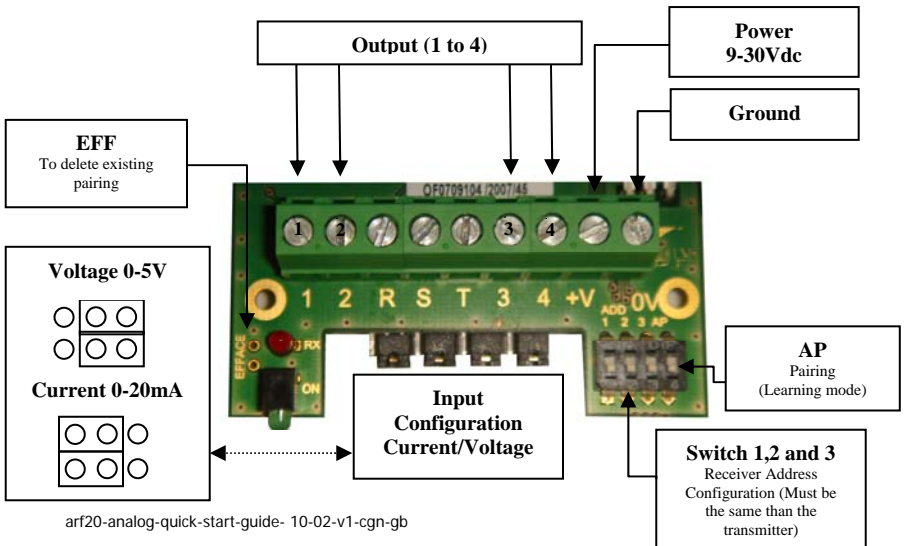


Quick Start Guide

1 – User Interface Transmitter



2- User Interface Receiver



3- Learning procedure (pairing)

All the switches must be put on OFF position.

- **Leds Status when turning on the products**
 - o [Transmitter] Green Led is ON
 - o [Receiver] Red Led is BLINKING (twice per sec)

If a learning process has already been done on the product, the red led is ON.
A new learning process can be done without problem.

- **On the receiver → Put the switch AP to ON**
 - o [Receiver] The red led is blinking (once per sec)
- **On the receiver → Put the switch AP to OFF**
 - o [Receiver] → The red led is ON
 - o [Receiver] → The green led is ON

The learning process can be deleted by a short-circuit during 2 seconds between the two "EFF" test points when turning ON the product.

4- Leds Status

Transmitter	<i>Green Led status</i>	<i>Comment</i>
	OFF	Product power off
	ON	Product power on

Receiver	<i>Green Led status</i>	<i>Red led status</i>	<i>Comment</i>
	OFF	OFF	Product power off
	OFF	BLINK 2x/sec	Product not configured (unpaired)
	OFF	BLINK 1x/sec	Product in learning mode (pairing)
	ON	ON	Product configured and working